

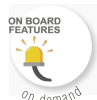
N300

MAIN APPLICATIONS



SUITABLE BATTERIES

AGM, GEL, WET, Lithium

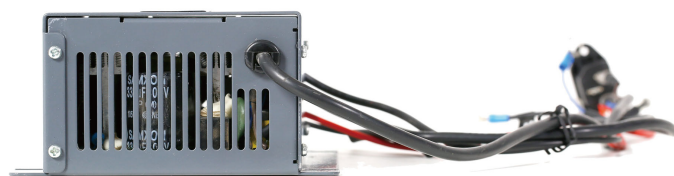


PRODUCT INTRO

N300 is the medium range HF charger suitable for light traction application with LED visual interface. An easy built-in jumper enables Profile selection (Pb-GEL) preset for advanced setting.

Models Available

V	A	VAC	CODE	7-8h	Lead acid (Ah)	Gel (Ah)	Iac
24	8-10	1X230	N300 24/10	60-70	10-11-14h 85-95-115	12-14h 76-95	Current draw 1.36
36	5-6	1X230	N300 36/7	42-49	60-67-81	53-67	1.36
48	5	1X230	N300 48/5	30-35	43-48-58	38-48	1.36



General Characteristics

Mains	90-240 VAC + / -10% 50-60Hz
Visual signalling	Single LED (Bi-colored)
Charger setting	By switches: 1 charging profiles (Pb / Gel preset)
Cool-down system	Temperature-regulated fan speed Fan idle within 40°C internal components temperature
Efficiency	>87%
Operating temperature	0°C to +40°C
Storage temperature	0°C to +60°C

Safety Features

Input protection	Fast AC fuse
Output protection	By relay (reverse polarity protection)
Thermal Protection	Forced derating or safety cut off on the diodes
Protection during battery disconnection	Safety cut off by undervoltage

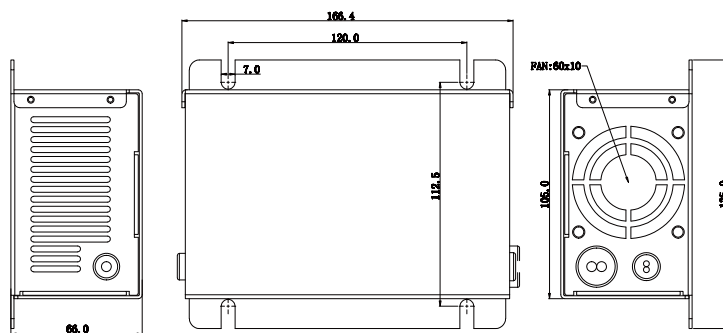
Optionals

On board	Inhibit cable (Vac presence relay), Remote LED
Stand alone / wall mounted	Cable holder
On board / stand alone / wall	Additional extra coating

Mechanical Characteristics

Dimension	L166.4 x W135 x H66 mm
Protection degree	IP 20 (vertical)
Weight	1.6 kg
Input cable	1.8 m (length) complete with CN plug 16A
Output cables	1.2m + / - 10% (length) - DC plug on demand

Dimensions: (mm)



All specifications are subject to change without notice.
Copyright © 2022 PowerFirst Company Limited. All rights reserved.



DOE ROHS

Additional certifications can be pursued based on market demand



Request more Information

PowerFirst Technology Company Limited

www.epowerfirst.com

marketing@epowerfirst.com

star@epowerfirst.com