



**24V**  
**12A**

# PFC0360-24CH12X



Intelligent design for charging AGM, GEL, Flooded lead acid batteries and various Lithium batteries, and widely used for electric wheelchairs, mobilities, scooters, e-bikes, medical equipments, etc.. PF2412X charger meets the ISO 7176-21:2009 standard. AC/DC cable is completely customizable.

## Main applications:



### High Reliability

Engineered using design for reliability. Validated for long service life in harsh operating conditions. Tested to perform reliably and durably in automotive applications. Manufactured in a world class facility specializing in high reliability solutions.



### Can be used globally

Charger takes universal inputs. (90-264 Vac, 47-63 Hz) Customization and global certificates are optional and available.



### Premium charging Quality

Charge profiles to precisely charge AGM, GEL, Flooded and Li-ion batteries. Developed in PowerFirst's battery lab to balance charge time, battery life and application requirements.



### Global + Efficient

Capable of operating reliably on any single-phase grid worldwide. High-efficiency performance for electricity savings and shorter charge times. Active cooling enables optimal peak performance.

# PFC0360-24CH12X Charger Specifications

DC Output	24 VDC
Maximum DC output voltage	33.6 V
Maximum DC output current	12 A
Maximum DC output power	360 W
Deep discharge recovery (minimum voltage)	10 V
Maximum C3 interlock current	5 A
Battery type	Lead acid (wet / AGM / gel), lithium
Reverse polarity	Electronic protection with auto-reset
Short circuit	Electronic current limit

AC Input		
Nominal AC input voltage	100-240 VAC ±10%	
Nominal AC input frequency	50 / 60 Hz	
Maximum AC input current	4.0 A	
Nominal AC input current	3.6 A @ 120 VAC	1.6 A @ 230 VAC
Power factor	>0.99 @ 120 VAC	>0.98 @ 230 VAC

Regulatory		
Efficiency	88% at full load, 120 VAC, 24 VDC   92% at full load, 230 VAC, 24 VDC California Energy Commission (CEC) compliant	
Safety (LVD)	IEC 60335-1:2010; IEC 60335-1:2010/AMD1:2013 IEC 60335-1:2010/AMD2:2016; IEC 60335-2-29:2016 IEC 60335-2-29:2016/AMD1:2019 BS EN 60335-2-29:2004 + A11:2018 BS EN 60335-1:2012 + A11:2014 + A2:2019	
Emissions (EMC)	EN IEC 55014-1:2021; EN IEC 61000-3-2:2019+A1:2021 BS EN 55014-1:2017+A11:2020; BS EN IEC 61000-3-2:2019	
Immunity (EMC)	EN IEC 55014-2:2021; EN 61000-3-3:2013+A2:2021 BS EN 55014-2:2015; BS EN 61000-3-3:2013+A1:2019	

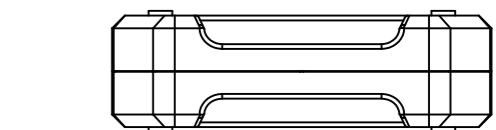
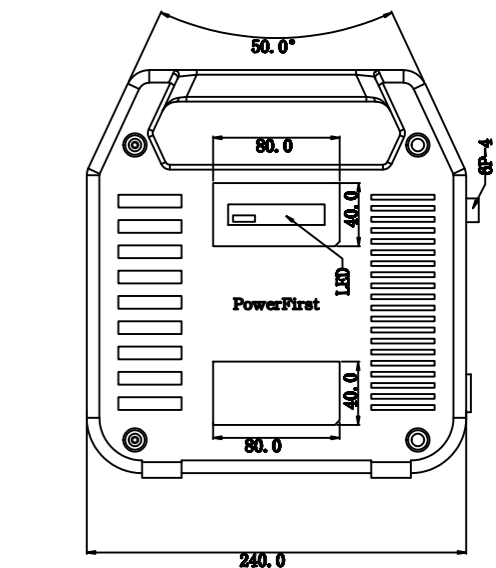
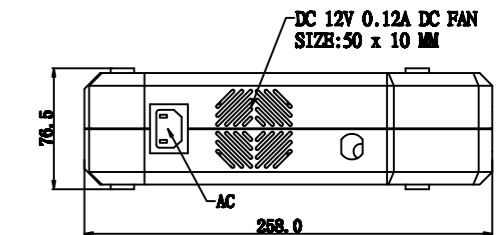
Mechanical		
Dimensions	L240 x W76.5 x H258 mm	
Weight	2.2 kg	
AC input connector	IEC320 / C14 (requires country-specific cord)	
DC output connector	Customizable	
inhibit function	ON / DC	
Cooling	Active cooling with fan (Variable speed)	

Environmental		
Enclosure	IP21	
Operating temperature	-20°C to +45°C	Derated at >45°C
Storage temperature	-40°C to +60°C	



### Highlighted Features:

- User friendly LED indicators for AC source, battery status, charging, error.
- Auto-recharge for low voltage in maintenance mode
- OEM customizable & field replaceable AC/DC cabling
- With ISO 7176-21:2009 certificate



Visit [epowerfirst.com/product/reha-mobility-360w/](http://epowerfirst.com/product/reha-mobility-360w/) to view the complete product datasheet.

Copyright © 2022 PowerFirst Company Limited. All rights reserved.



Request More Information

PowerFirst Technology Company Limited

[www.epowerfirst.com](http://www.epowerfirst.com)

[marketing@epowerfirst.com](mailto:marketing@epowerfirst.com)

[star@epowerfirst.com](mailto:star@epowerfirst.com)