

Alpha 1200

MAIN APPLICATIONS



SUITABLE BATTERIES

Lithium



PRODUCT INTRODUCTION

A1200 is a compact charging pile with LCM showing charging voltage and current, and with keys to select charging profiles. It's widely used in AGV/AMR industry. Wifi communication is optional for advanced setting, data-report, GPS and diagnostic.

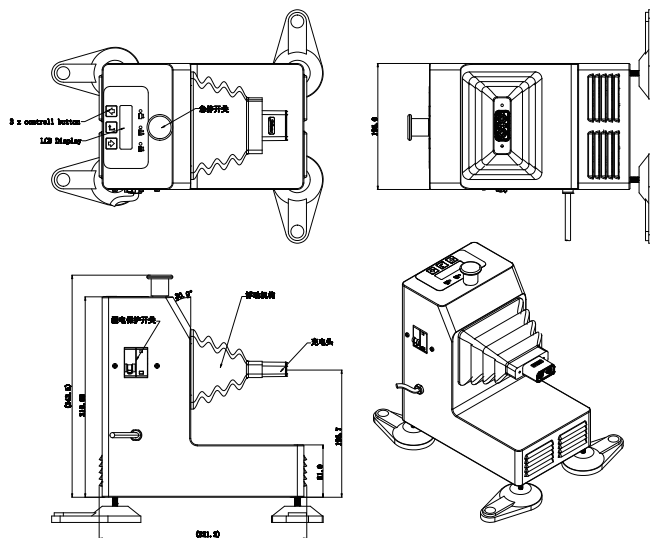
A	Red LED	
B	Yellow LED	
C	Green LED	
D	Digital Display	
E	Voltage Selection	
F	Enter Button	
G	Current Selection	

General Characteristics	
AC input voltage	90-240 VAC + / -10% 50-60Hz
DC output voltage	29.4 V 28.8 V (Optional)
DC output current	40A / 20A / 15A / 10A / 8A / 5A 40A / 20A / 15A / 10A / 8A / 5A
Charging profile setting	Select by pressing keys
Protection	Short-circuit protection, sparks protection and over temperature protection with auto-reset after condition is removed
Efficiency	>=91% under 230V ; Approx. 89% under 120V
Operating temperature	0°C to +40°C
Storage temperature	-40°C to +85°C

Regulations	
Certificates	CE, UL, KC, PSE
Safety	LVD: EN61558-1 / EN61558-2-16, J 60335-1, J 60335-2-29 KC 60335-1, KC 60335-2-29
EMC	EN61000-6-1 / EN61000-6-3, J 55014-1

Mechanical Characteristics	
AC input connector	IEC320 / C14 connector
Protection degree	IP 21 (vertical)
Weight	6.5 kg
Dimension	L321.2 x W195 x H343.5 mm

Dimensions: (mm)



All specifications are subject to change without notice.
Copyright © 2022 PowerFirst Company Limited. All rights reserved.



Additional certifications can be pursued based on market demand

