



## HQ150-2405 Specification

<b>Input Voltage</b>	100 - 240Vac +/-10%
<b>Input Frequency</b>	50 - 60Hz
<b>Output Current</b>	
Fast Charge (AGM)	DC 29.6V (+/- 0.2V)
Float Charge (AGM)	DC 27.4V (+/- 0.2V)
Fast Charge (GEL)	DC 28.6V (+/- 0.2V)
Float Charge (GEL)	DC 26.6V (+/- 0.2V)
<b>Charging Current</b>	
Fast Charge	DC 5A +/- 10%
Float Charge	<DC 800mA
Maintenance Stage	Auto-Restart@25.3VDC
<b>Over Voltage Protection</b>	DC 31V Max.
<b>Over Current Protection</b>	DC 6A Max.
<b>Leakage Current</b>	0.75mA Max.
<b>Input Power</b>	180W
<b>Input Standby Power</b>	<0.5W
<b>Efficiency</b>	>85% @ Full Load
<b>Battery Charging Capacity</b>	15 - 50 Amp Hours
<b>Output Cord</b>	2m long, SJT type (Hard Usage) with XLR 3-pin Male Connector
<b>Dielectric Withstand Voltage</b>	AC 3.0KV for 1 min. @ 10mA leakage
<b>Insulation Resistance</b>	50Mohm Min. at 500Vdc between Primary and Secondary
<b>Operation Temperature</b>	0°C to 40°C
<b>Storage Temperature</b>	-20°C to 60°C
<b>Safety Standards</b>	IEC/EN 60335-2-29, BS EN 60335-2-29, UL 1012, CSA C22.2#107.2, EN 55014-1, EN 55014-2, IEC/EN 61000-3-2, IEC/EN 61000-3-3, AS/NZS CISPR 14.1-2013, ISO 7176-21, ISO 7176-25, ISO7176-14, ISO 7176-15, DOE 10 CFR 430.32(z), CEC-140-2019-002



### 2 LEDs for Status Indication

#### 1. Power LED (Clear Lens - Red Color)

Description	LED
Power On	On
No AC Power	Off

#### 2. Charging / Faults - LED (Clear Lens - Red / Green Color)

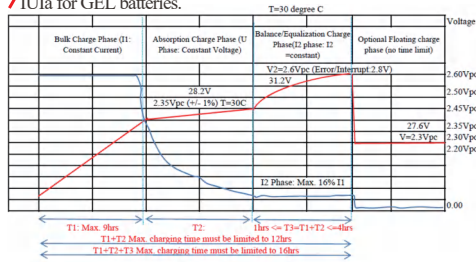
Charging - Description	Red LED	Green LED
No Battery/Full Charge (20 Hrs)	Off	Off
Bulk/Absorption Charge	On	Off
Float Charge	Off	Continuous Blinking
Maintenance Charge	Off	On Steady

INDICATION CHARGE/FAULT - Red LED		FAULT
1	LED is off.	No batteries - Voltage < 9V
2	LED - continuous rapid flashing	12 hr. charge timed out
3	LED-1 flashes every 3 sec.	Battery voltage < 14V
4	LED-2 flashes every 3 sec.	Batteries are connected in reverse polarity
5	LED-3 flashes every 3 sec.	Over voltage from batteries
6	LED-4 flashes every 3 sec.	Over current from charger

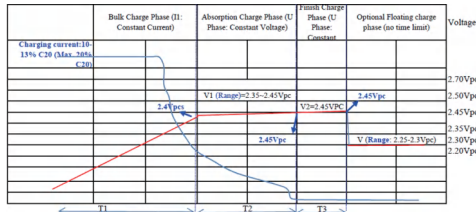
### Selectable DIP-Switch for GEL and AGM charging algorithm

The factory standard version support AGM and GEL, default set to charge AGM. For charging GEL batteries, move the DIP-Switch on the front end of the charger to the GEL position. Besides AGM and GEL, other Flooded and Lithium batteries charging algorithm are available per request.

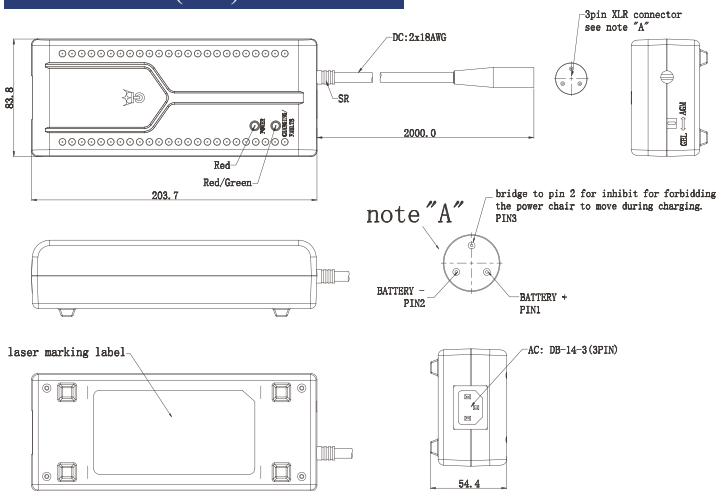
#### ∕ IUa for GEL batteries.



#### ∕ IUa for Generic AGM batteries



### Dimensions: (mm)



Additional certifications can be pursued based on market demand.



FDA REGISTRATION NUMBER: 3010142064

### Protections:

- ∕ Short Circuit Protection
- ∕ Over Current Protection
- ∕ Over Voltage Protection
- ∕ Over Temperature Protection
- ∕ Battery Polarity Reversal
- ∕ Surge Protection

Copyright © 2022 PowerFirst Company Limited. All rights reserved. All specifications are subject to change without notice.



Request more Information